



Case Study:

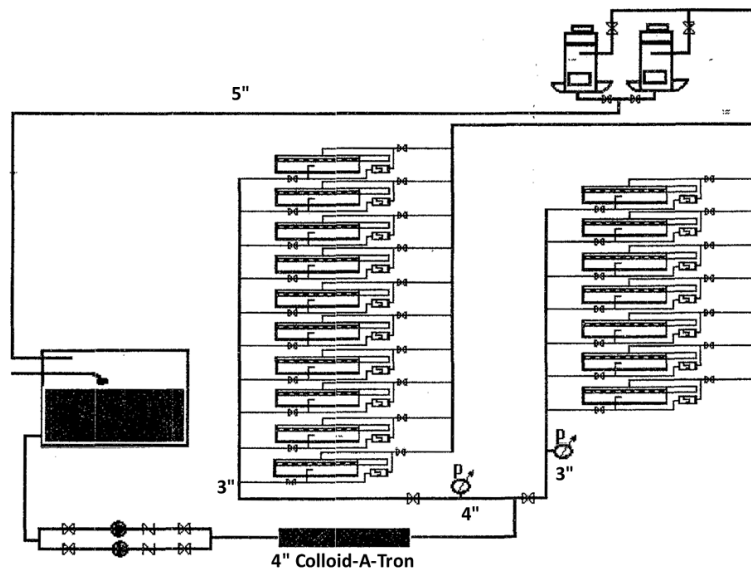
PLASTIC DIVAR SA. is a plastic injection molding company. The current production volume of the company is dedicated to supplying household plastics.

Problem:

PLASTIC DIVAR SA. installed a new injection plant in an area of Greater Buenos Aires where the water is of high hardness (above 250 ppm). Because of the large water flow required for cooling the machines and the number of them that this company has available (battery of 17 machines). PLASTIC DIVAR SA. decided to implement a prevention program to avoid fouling any machine causing shut downs for reasons of scale in operations, in cooling towers or in the main circuit. A condition of this program was that the implementation of the measures should give, in a short time, an effective and lasting solution that should be low cost and quickly amortized.

Solution:

PLASTIC DIVAR SA. found the solution to this problem by installing a hard water catalytic conditioner COLLOID-A-TRON for comprehensive treatment of the water used.



Results: The hard water conditioner Colloid-A-Tron PLASTIC DIVAR SA installed not only met the needs of the company but also eliminated many maintenance issues such as regeneration routines for a water softener & those of the analysis and chemical dosing. In this endeavor, the results of COLLOID-A-TRON now observed are the normal functioning of all injectors with respect to the cooling extruder and die, wherein the total elimination of the variable costs associated with chemicals and cleaning and optimum use of the time of maintenance personnel. This cost reduction and elimination of the need to stop the production of some of the machines to descale the circuit more than covered the expectations of repayment scheduled for DIVAR PLASTIC SA.

COLLOID-A-TRON is a catalyst that acts to generate a slight increase in pH of water in the laminar layer to it. This change in pH is responsible for the generation of crystals of calcium carbonate of a controlled shape and size which pass harmlessly through the circuit without the possibility of settling.